

100W Indoor LED Power Supply



Features:

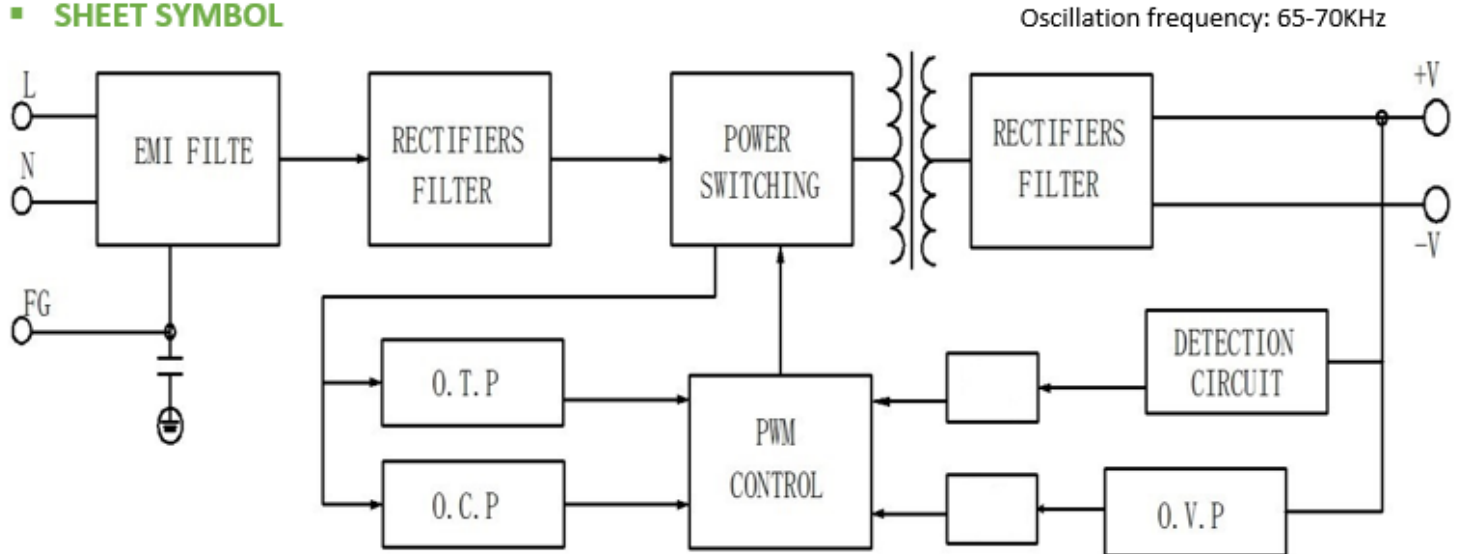
- Aluminium alloy housing.
- Cooling by free air convection.
- Slender design H25mm.
- 100% full load burn-in test.
- 2 yrs warranty, Life>15000h
- Power Supply for Indoor LED Projection lamp, LED Magnetic lamp, LED Strip, LED Light Bar.



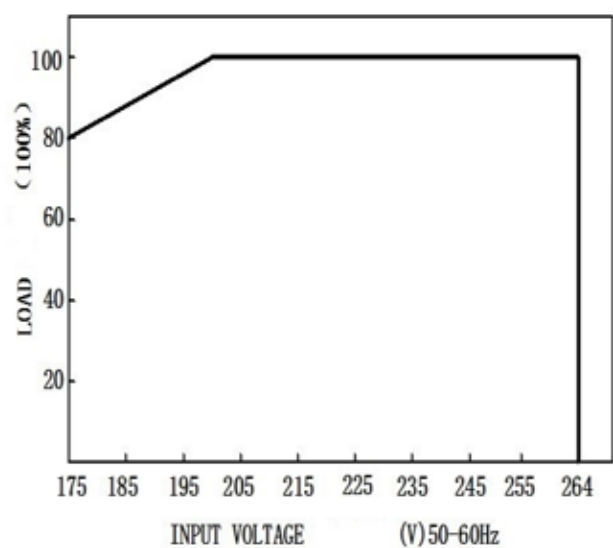
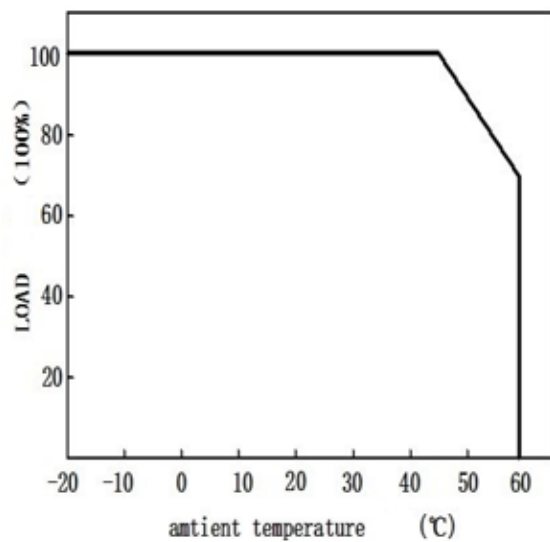
| SPECIFICATION | | | | |
|---------------|-------------------------|--|----------|----------|
| MODEL | | 12V 100W | 24V 100W | 48V 100W |
| OUTPUT | RATED VOLTAGE | 12V | 24V | 48V |
| | RATED CURRENT | 8.33A | 4.16A | 2.08A |
| | CURRENT RANGE | 0-8.33A | 0-4.16A | 0-2.08A |
| | RATED POWER | 100W | 100W | 100W |
| | EFFICIENCY | >87.8% | >89% | >90.8% |
| | RIPPLE & NOISE | <180mV | <180mV | <180mV |
| | LOAD REGULATION | 1% | | |
| | LINE REGULATION | 1% | | |
| INPUT | VOLTAGE RANGE | 170~250V AC; | | |
| | AC CURRENT | 0.92A 230V | | |
| | PF VALUE | 0.6 | | |
| | FREQUENCY RANGE | 50-60Hz; | | |
| | INRUSH CURRENT | 40A/230VAC | | |
| PROTECTION | OVER CURRENT | More than 105% rated output current, recovers automatically after fault condition is removed | | |
| | OVER VOLTAGE | More than 130% rated output Voltage, Shut down o/p voltage, re-power on to recover | | |
| | OVERLOAD | Hiccup mode, recovers automatically after fault condition is removed | | |
| ENVIRONMENT | WORKING TEMP., HUMIDITY | -20 ~ +45°C 20%~90%RH | | |
| | STORAGE TEMP., HUMIDITY | -40°C~85°C 10%~95%RH | | |
| SAFETY | WITHSTAND VOLTAGE | I/P-O/P: AC2.5KV 5mA 60S; I/P-HOUSING: AC2KV 5mA 60S | | |
| | ISOLATION RESISTANCE | I/P-O/P: 100M ohms/500VDC/25°C | | |
| OTHERS | DIMENSION | 145*49*29mm | | |
| | NET.WEIGHT | 0.195kg | | |
| | PACKING | / | | |

100W Indoor LED Power Supply

■ SHEET SYMBOL

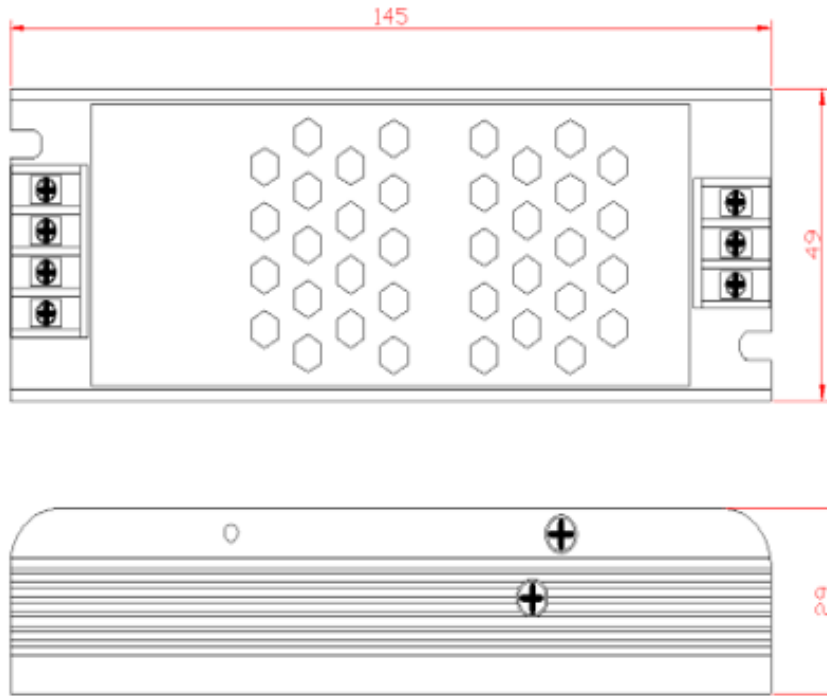


■ LOAD REDUCTION GRAPH



100W Indoor LED Power Supply

▪ **MECHANICAL REQUIREMENTS (L*W*H):**



Notice:

1. Keeping a good ventilation environment is conducive to the heat dissipation of the power supply, which is very important for prolonging the life of the power supply.
2. Please be well noticed that too long connecting leads will cause to line loss. So please avoid too long extension with output leads.
(1mm² 6A)
3. The power supply will be automatically protected and enter the abnormal state of intermittent connection if the load power exceeds the maximal rated output power.
4. Wiring must be strictly in accordance with the principle of safe use of electricity, pay attention to the wire core interface sealed with waterproof electrical adhesive tape to avoid water at the interface to damage products.