

150W Indoor LED Power Supply



Features:

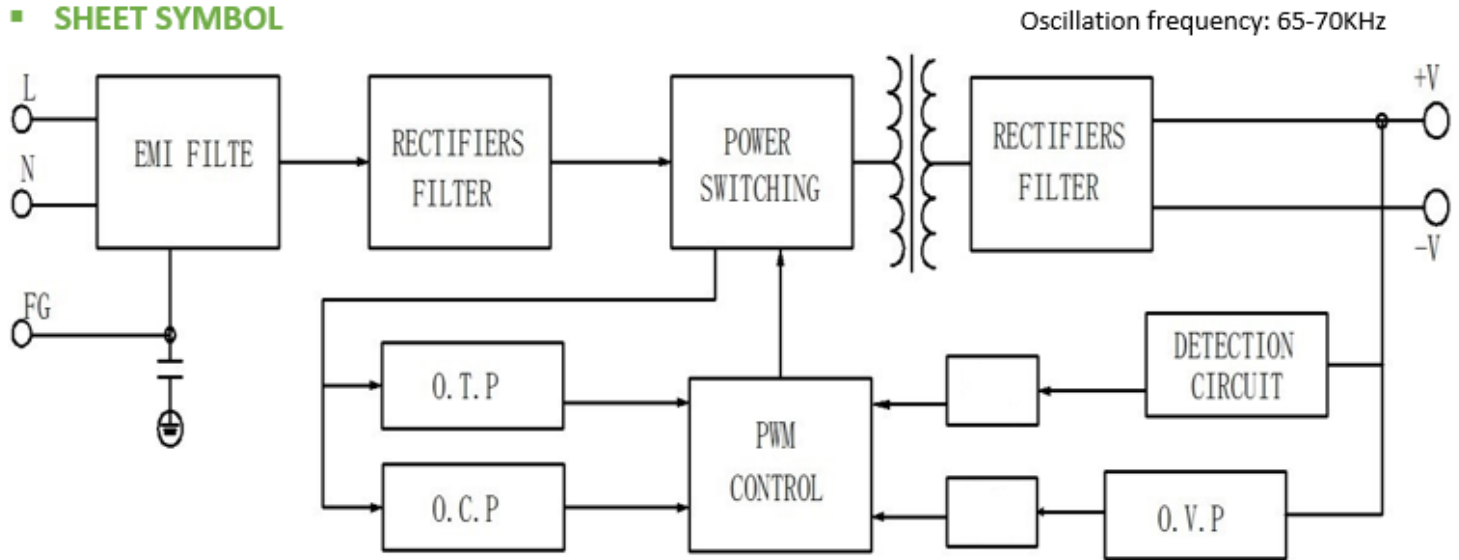
- Aluminium alloy housing.
- Cooling by free air convection.
- Slender design H25mm.
- 100% full load burn-in test.
- 2 yrs warranty, Life>15000h
- Power Supply for Indoor LED Projection lamp, LED Magnetic lamp, LED Strip, LED Light Bar.



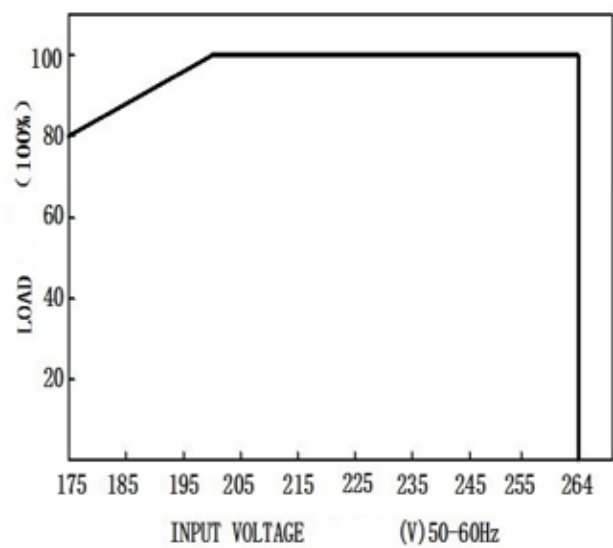
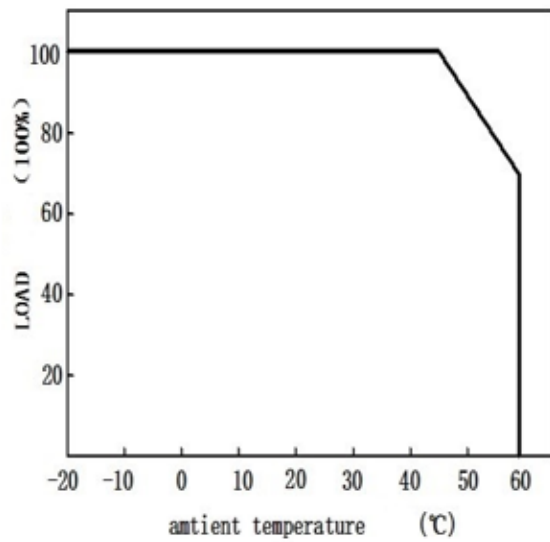
SPECIFICATION			
MODEL		12V 150W	24V 150W
OUTPUT	RATED VOLTAGE	12V	24V
	RATED CURRENT	12.5A	6.25A
	CURRENT RANGE	0-12.5A	0-6.25A
	RATED POWER	150W	150W
	EFFICIENCY	>87.2%	>89%
	RIPPLE & NOISE	<180mV	<180mV
	LOAD REGULATION	1%	
LINE REGULATION	1%		
INPUT	VOLTAGE RANGE	175~250V AC;	
	AC CURRENT	1.37A 230V	
	PF VALUE	0.6	
	FREQUENCY RANGE	50-60Hz;	
	INRUSH CURRENT	40A/230VAC	
PROTECTION	OVER CURRENT	More than 105% rated output current, recovers automatically after fault condition is removed	
	OVER VOLTAGE	More than 130% rated output Voltage, Shut down o/p voltage, re-power on to recover	
	OVERLOAD	Hiccup mode, recovers automatically after fault condition is removed	
ENVIRONMENT	WORKING TEMP., HUMIDITY	-20 ~ +45°C 20%~90%RH	
	STORAGE TEMP., HUMIDITY	-40°C~85°C 10%~95%RH	
SAFETY	WITHSTAND VOLTAGE	I/P-O/P: AC2.0KV 5mA 60S; I/P-HOUSING: AC1.5KV 5mA 60S	
	ISOLATION RESISTANCE	I/P-O/P: 100M ohms/500VDC/25°C	
OTHERS	DIMENSION	183*49*25mm	
	NET.WEIGHT	0.247kg	
	PACKING	/	

150W Indoor LED Power Supply

▪ SHEET SYMBOL

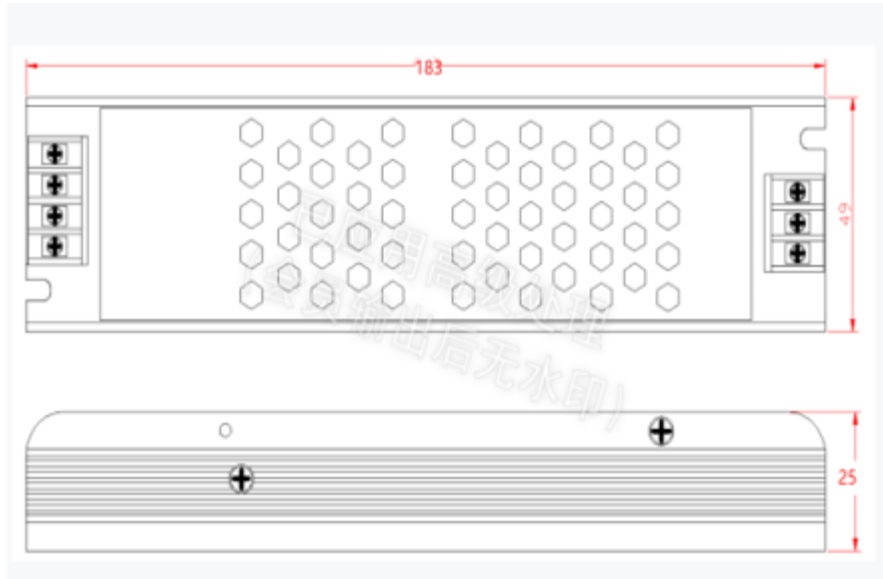


▪ LOAD REDUCTION GRAPH



150W Indoor LED Power Supply

▪ **MECHANICAL REQUIREMENTS (L*W*H):**



Notice:

1. Keeping a good ventilation environment is conducive to the heat dissipation of the power supply, which is very important for prolonging the life of the power supply.
2. Please be well noticed that too long connecting leads will cause to line loss. So please avoid too long extension with output leads.
(1mm² 6A)
3. The power supply will be automatically protected and enter the abnormal state of intermittent connection if the load power exceeds the maximal rated output power.
4. Wiring must be strictly in accordance with the principle of safe use of electricity, pay attention to the wire core interface sealed with waterproof electrical adhesive tape to avoid water at the interface to damage products.