

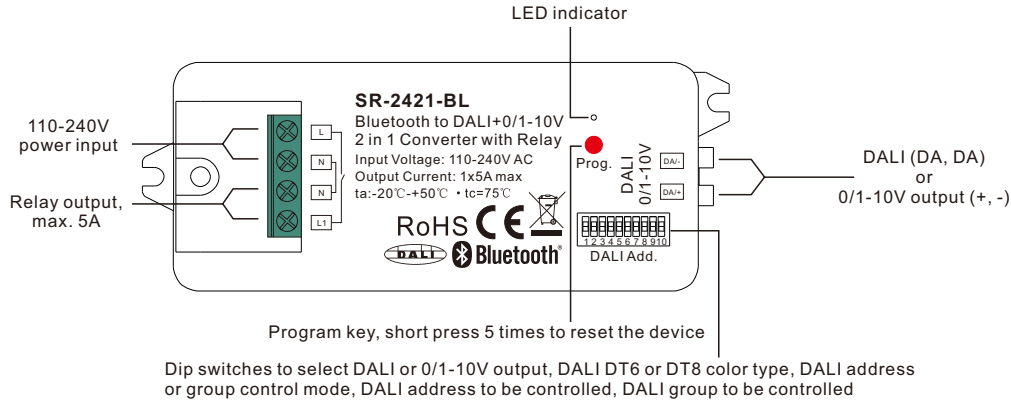
Bluetooth to DALI+0/1-10V 2 in 1 Converter

70190002



Important: Read All Instructions Prior to Installation

Function introduction



Product Data

Input		Output, DALI		Output, 0/1-10V	Output, relay		Environment		Others
Power	Signal	DALI PS current	DALI current consumption	Current	Switching voltage	Max. Current	Operating temperature	Relative humidity	Dimensions
110-240VAC	Bluetooth 2.4GHz	Max. 50mA	Max. 4mA	Max. 20mA	110-240VAC	Incandescent: 5A LED: 1.6A	-20°C~+50°C	8% to 80%	95x37x20mm

- Bluetooth to DALI+0/1-10V 2 in 1 converter based on bluetooth mesh network
- Bluetooth signal input, DALI signal output to DALI line or 0/1-10V signal output, 110-240VAC power input
- With relay output, max. 5A for traditional incandescent & HV halogen lamps, max 1.6A for LED load
- Compatible with universal bluetooth gateway
- DALI signal or 1-10V signal output selectable by DIP switch
- Built-in DALI bus power supply, no extra DALI bus PS required
- With max. 50mA DALI bus power current output
- To supply control current to up to 25 DALI control gears
- DALI DT6 or DT8 device type selectable by DIP switch under DALI mode
- Color control according to DALI specifications of Device Type 8,
- Color type: Tc, XY coordinates, RGBW selectable by DIP switches
- DALI address control mode or group control mode selectable by DIP switch
- Enables to select the DALI address (00-63) to be controlled by DIP switches
- Enables to select the DALI group (0-15) to be controlled by DIP switches
- Enable to control 1 DALI Group of devices or 1 DALI Address on DALI line

- Enable to control all devices on DALI line via broadcast
- Waterproof grade: Ip20

Safety & Warnings

- DO NOT set the DIP switches with power applied to the device.
- DO NOT install with power applied to device.
- DO NOT expose the device to moisture.

Operation

1) Select DALI or 0/1-10V Output Using Dial Switch 10



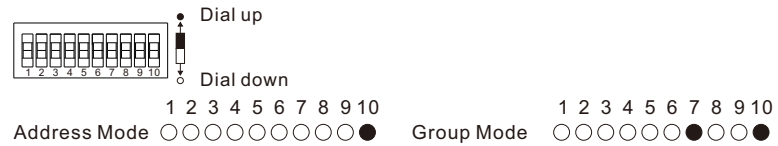
Note: please first select output signal by the dial switch.

2) Select DALI Device Type (DT6/DT8 Color Type) to be Controlled Using Dial Switches 8-9



Note: once DALI output is selected, please then select the DALI device type you would like to control by the dial switches.

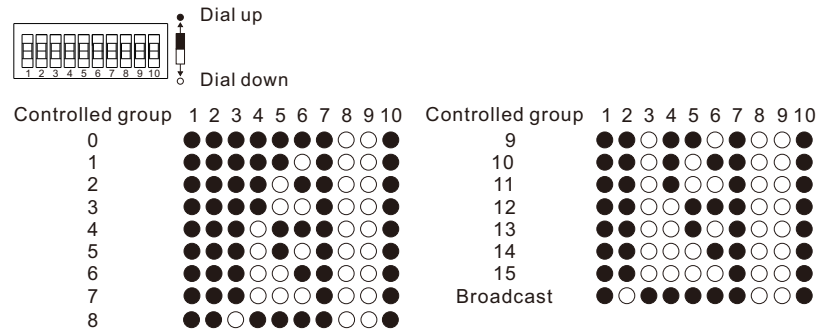
3) Select DALI Address or Group Control Mode Using Dial Switch 7



Note: once DALI device type is selected, please then select address control mode or group control mode by dial switch.

4) Select the DALI Group to be Controlled Using Dial Switches 2-6

Note: here device type is selected as DIM as an example, please select your correct DALI device type.



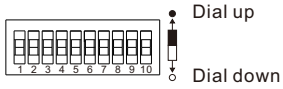
Note: 1) once DALI device type and group control mode are selected, please then select the DALI group (0-15 selectable) to be controlled on DALI line by dial switches.

2) The control gears that are assigned to the selected DALI group on DALI line will be controlled.

3) The control gears shall be first grouped by a DALI master controller, please refer to the user manual of corresponding master controller.

5) Select the DALI Address to be Controlled Using Dial Switches 1-6

Note: here device type is selected as DIM as an example, please select your correct DALI device type.



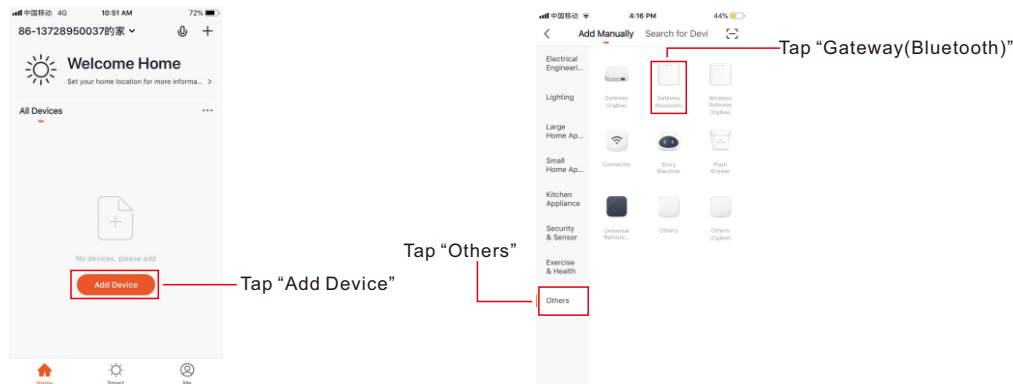
Controlled address	1	2	3	4	5	6	7	8	9	10	Controlled address	1	2	3	4	5	6	7	8	9	10	
00	●	●	●	●	●	●	○	○	○	○	32	○	○	○	○	○	○	○	○	○	○	○
01	●	●	●	●	●	○	○	○	○	○	33	○	○	○	○	○	○	○	○	○	○	○
02	●	●	●	●	○	○	○	○	○	○	34	○	○	○	○	○	○	○	○	○	○	○
03	●	●	●	○	○	○	○	○	○	○	35	○	○	○	○	○	○	○	○	○	○	○
04	●	●	○	○	○	○	○	○	○	○	36	○	○	○	○	○	○	○	○	○	○	○
05	●	○	○	○	○	○	○	○	○	○	37	○	○	○	○	○	○	○	○	○	○	○
06	●	○	○	○	○	○	○	○	○	○	38	○	○	○	○	○	○	○	○	○	○	○
07	●	○	○	○	○	○	○	○	○	○	39	○	○	○	○	○	○	○	○	○	○	○
08	●	○	○	○	○	○	○	○	○	○	40	○	○	○	○	○	○	○	○	○	○	○
09	●	○	○	○	○	○	○	○	○	○	41	○	○	○	○	○	○	○	○	○	○	○
10	●	○	○	○	○	○	○	○	○	○	42	○	○	○	○	○	○	○	○	○	○	○
11	●	○	○	○	○	○	○	○	○	○	43	○	○	○	○	○	○	○	○	○	○	○
12	●	○	○	○	○	○	○	○	○	○	44	○	○	○	○	○	○	○	○	○	○	○
13	●	○	○	○	○	○	○	○	○	○	45	○	○	○	○	○	○	○	○	○	○	○
14	●	○	○	○	○	○	○	○	○	○	46	○	○	○	○	○	○	○	○	○	○	○
15	●	○	○	○	○	○	○	○	○	○	47	○	○	○	○	○	○	○	○	○	○	○
16	●	○	○	○	○	○	○	○	○	○	48	○	○	○	○	○	○	○	○	○	○	○
17	●	○	○	○	○	○	○	○	○	○	49	○	○	○	○	○	○	○	○	○	○	○
18	●	○	○	○	○	○	○	○	○	○	50	○	○	○	○	○	○	○	○	○	○	○
19	●	○	○	○	○	○	○	○	○	○	51	○	○	○	○	○	○	○	○	○	○	○
20	●	○	○	○	○	○	○	○	○	○	52	○	○	○	○	○	○	○	○	○	○	○
21	●	○	○	○	○	○	○	○	○	○	53	○	○	○	○	○	○	○	○	○	○	○
22	●	○	○	○	○	○	○	○	○	○	54	○	○	○	○	○	○	○	○	○	○	○
23	●	○	○	○	○	○	○	○	○	○	55	○	○	○	○	○	○	○	○	○	○	○
24	●	○	○	○	○	○	○	○	○	○	56	○	○	○	○	○	○	○	○	○	○	○
25	●	○	○	○	○	○	○	○	○	○	57	○	○	○	○	○	○	○	○	○	○	○
26	●	○	○	○	○	○	○	○	○	○	58	○	○	○	○	○	○	○	○	○	○	○
27	●	○	○	○	○	○	○	○	○	○	59	○	○	○	○	○	○	○	○	○	○	○
28	●	○	○	○	○	○	○	○	○	○	60	○	○	○	○	○	○	○	○	○	○	○
29	●	○	○	○	○	○	○	○	○	○	61	○	○	○	○	○	○	○	○	○	○	○
30	●	○	○	○	○	○	○	○	○	○	62	○	○	○	○	○	○	○	○	○	○	○
31	●	○	○	○	○	○	○	○	○	○	63	○	○	○	○	○	○	○	○	○	○	○

Note: 1) once DALI device type and address control mode are selected, please then select the DALI address (00-63 selectable) to be controlled on DALI line by dial switches.
2) The control gear with the selected DALI address on DALI line will be controlled.

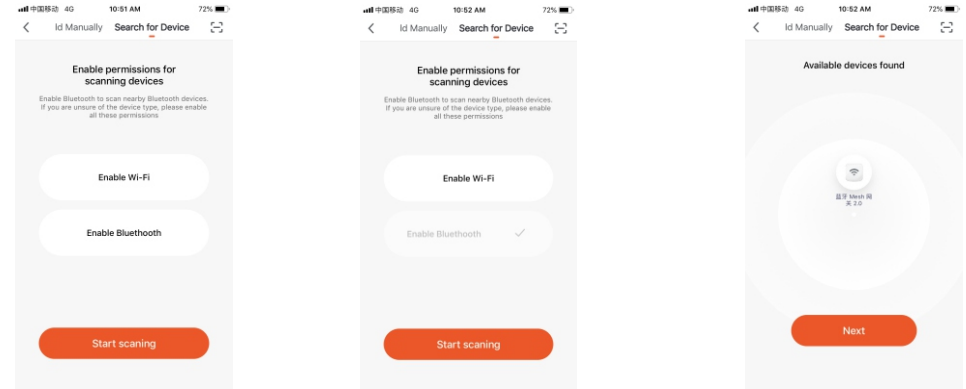
6) Do wiring after above all settings are completed according to wiring diagram.

7) Pair the converter to the bluetooth mesh network and control it through the APP:

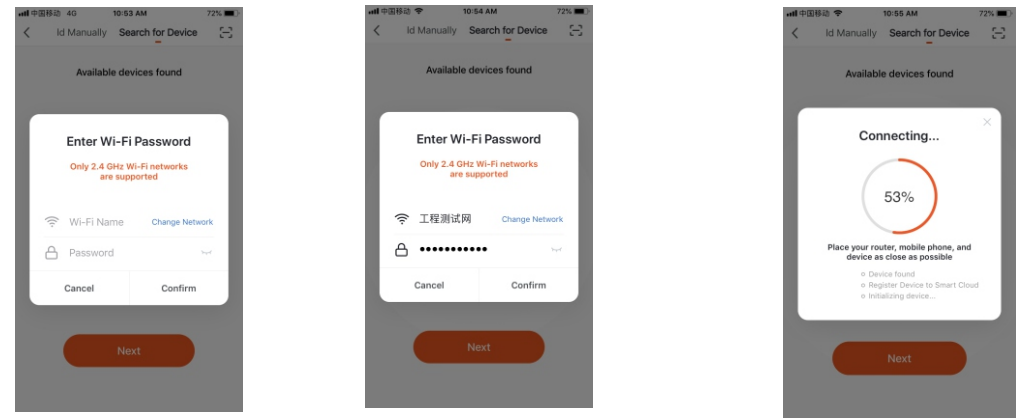
Step 1: Download the smart APP (searching "TuyaSmart" from App Store and Google Play) and setup an account. Then add the bluetooth gateway.



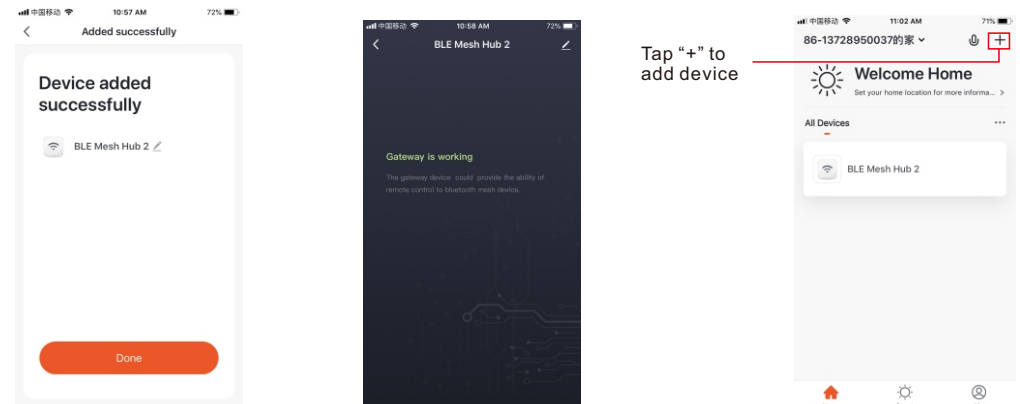
Step 2: Power on the bluetooth gateway and enable bluetooth on your smart phone, the gateway will be found.



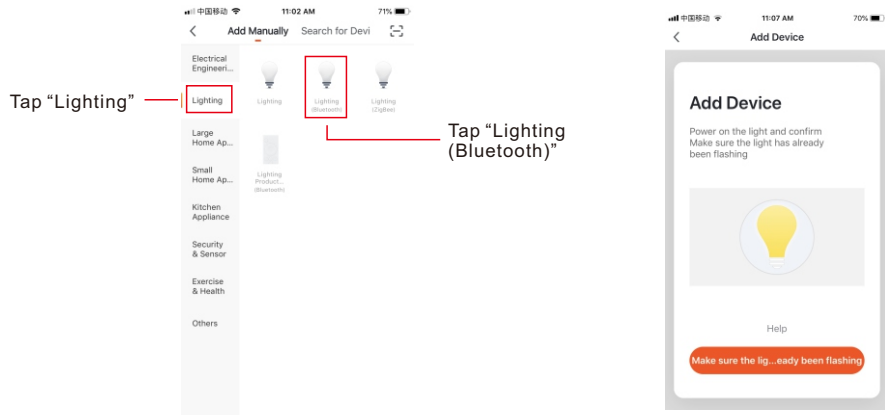
Step 3: Select a WiFi network to configure the gateway to the internet, then the gateway will connect your smart phone.



Step 4: The gateway is added successfully, then select to add device to the bluetooth gateway.



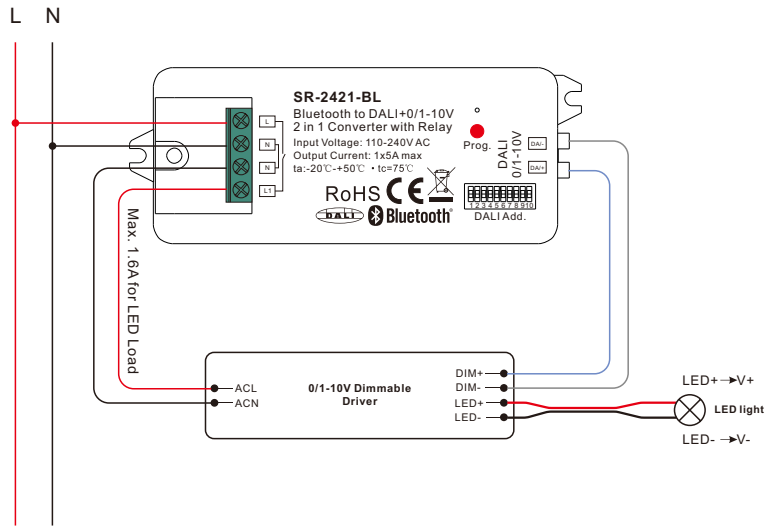
Step 5: Short press the “Prog.” button 5 times, the LED indicator will flash rapidly.



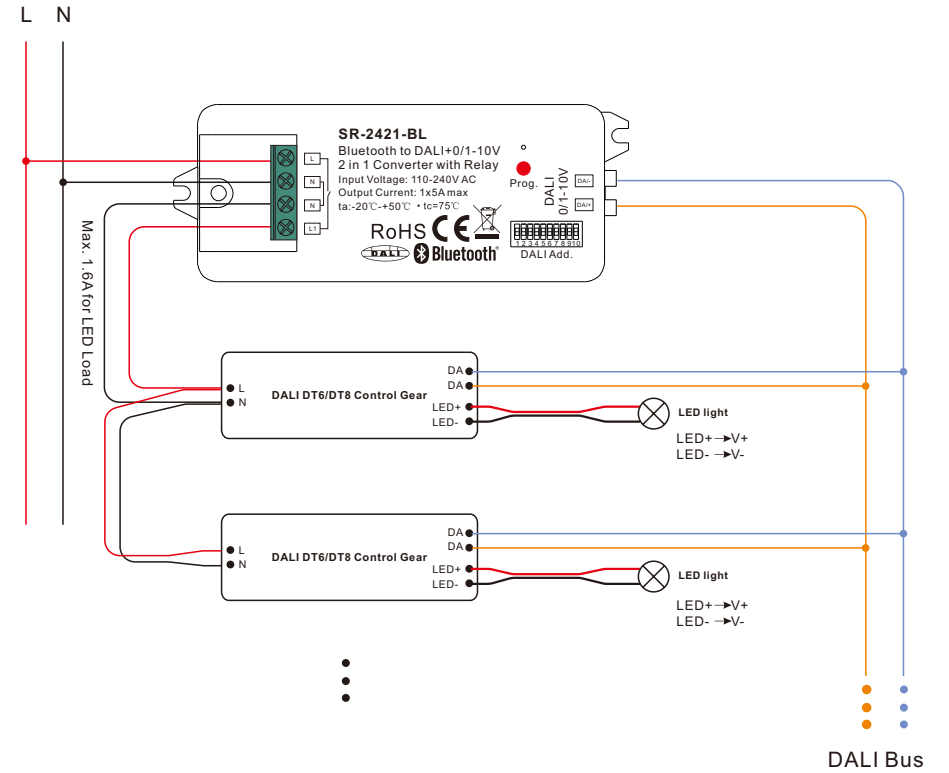
Step 6: Then LED indicator will stay solid on to indicate the bluetooth to DALI+0/1-10V converter is added to the gateway successfully. Then you can control it through the APP.

Wiring Diagram

When 0/1-10V Output Selected



When DALI Output Selected



- Note:**
- 1) Max. 50mA DALI bus PS output to supply control current to up to 25 control gears.
 - 2) The max. LED load of the relay is 1.6A, and the number of control gear can be switched by the relay depends on the load of each control gear.