

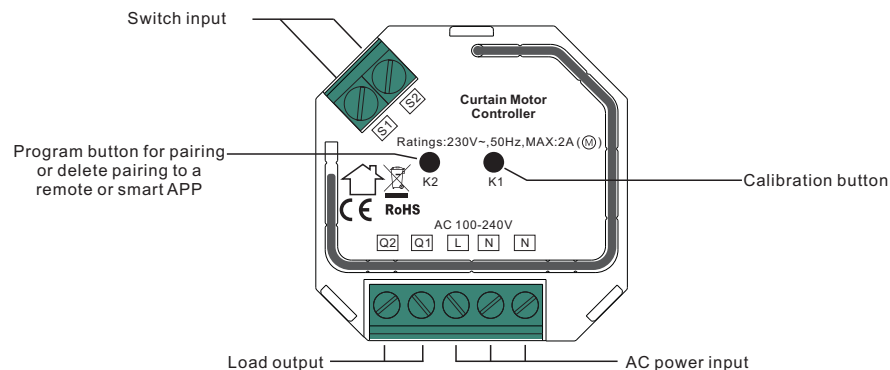
Curtain Motor Controller

70200053



Important: Read All Instructions Prior to Installation

Function introduction



Product Data

Control Protocol	Input Voltage	Output Voltage	Max. Load Current	Operating Temperature	Relative Humidity	Dimension (LxWxH)
RF+Bluetooth	AC100-240V	AC100-240V	2A	0 to 40°C	8% to 80%	45.5x45x20.3mm

- RF+Bluetooth curtain motor controller based on Bluetooth mesh
- Full support for various curtain types: roller blinds, shutter blinds, drapes, etc.
- Controlled by smart app or directly by wireless RF remote
- Local control with external switches even if not paired to a smart phone
- Accurate control, supports both ON/OFF and level control
- Controlled through both smart App and remote controls, no gateway required
- Easy & quick pairing to the smart App by simply pushing the K2 button
- Mesh network, much longer control distance, transmits received signal to neighbor devices
- Up to 30m transmission distance between every two neighbor devices
- Encrypted two-way communication, quick status feedback, safe & reliable data transmission
- Compatible with universal RF+Bluetooth remotes, each controller can pair to max. 8 remotes
- Cloud control is available for remote access
- Can be controlled by external on/off switches
- Mini Size, Easy to be Installed into a standard wall box
- Radio Frequency : 2.4GHz
- Waterproof grade: IP20

Safety & Warnings

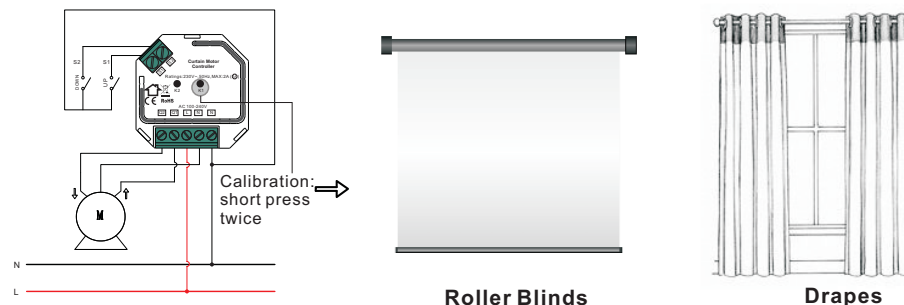
- DO NOT install with power applied to device.
- DO NOT expose the device to moisture.

Operation

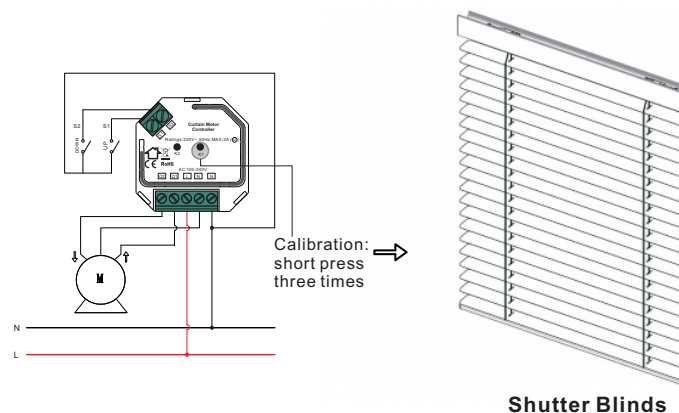
Positioning Calibration

Calibration is a process during which a curtain motor controller learns the position of the limit switches and a motor characteristic. Calibration is mandatory. Connect the controller to the motor according to wiring diagram, the calibration for different types of curtain are as follows:

1. Roller blinds and drapery type: short press button K1 twice, calibration starts automatically.



2. Shutter blinds type curtain: short press button K1 three times, calibration starts automatically.



Note: to control another curtain motor, positioning calibration shall be done again.

Pair/delete the pairing with RF+Bluetooth remote

1. Do wiring according to connection diagram.
 2. Pair LED controller with RF+Bluetooth remote: please refer to the instruction of the remote that you would like to pair with.
 3. Delete the pairing:
 - (1) Wire up the LED controller correctly, power on.
 - (2) Press and hold down the "K2" button on the controller for over 3 seconds (or reset power of the device 8 times continuously if the button is not accessible to factory reset the device) until the connected light flashes, which means well deleted.
- Note: factory resetting will restore all configured parameters of the device on the APP to factory default setting.

Pair with smart APP

1. Do wiring according to connection diagram.
2. Download EasyThings APP from IOS APP Store or Android Google Play to your smart phone or tablet by searching "EasyThings". (As shown in **Figure 1**)
3. Enable Bluetooth on your smart phone or tablet. (As shown in **Figure 2**)



Figure 1

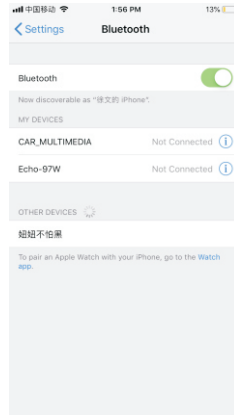


Figure 2

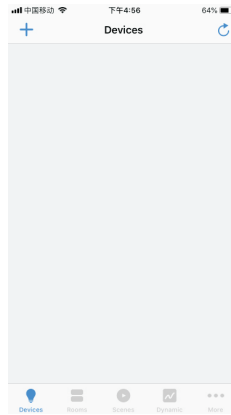


Figure 3

4. Run Easythings APP, tap add button " + " on the APP to add device, then choose "Discover devices" to discover device, then **short press the "K2" button on the curtain motor controller twice (or reset power of the controller twice continuously)** to set the device into pairing to APP mode. (As shown in **Figure 3 & Figure 4 & Figure 5**)

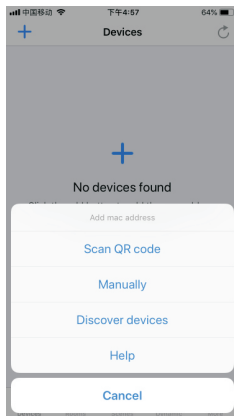


Figure 4

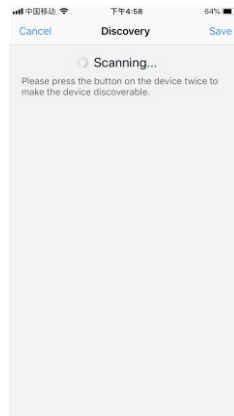


Figure 5

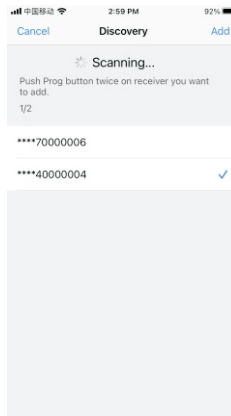


Figure 6

Note: multiple controllers can be discovered by the APP at the same time.

5. Once the device/devices are discovered, tick the device/devices and tap "Save" button, the device/devices will be added successfully. (as shown in **Figure 6**)

6. Once device is added, tap the controller's icon to enter the level control interface, then you can control it through the APP. (as shown in **Figure 7 & Figure 8**)

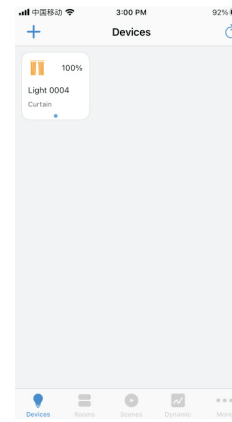


Figure 7

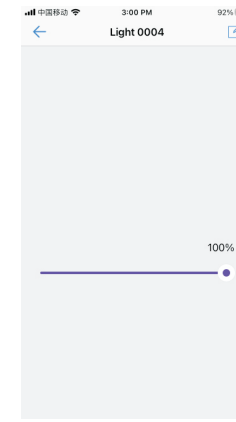
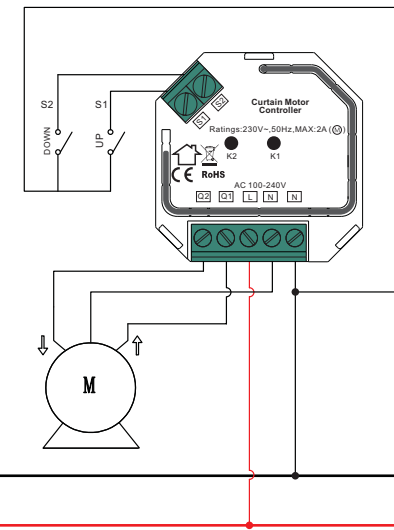


Figure 8

Wiring Diagram

Notes for the diagrams:

- L - terminal for live lead
- N - terminal for neutral lead
- S1 - terminal for switch key No. 1
- S2 - terminal for switch key No. 2
- Q1 - output terminal no. 1 for electrical motor
- Q2 - output terminal no. 2 for electrical motor
- K1 - positioning calibration button
- K2 - program button for pairing or delete pairing



Product Dimension

