



Features :

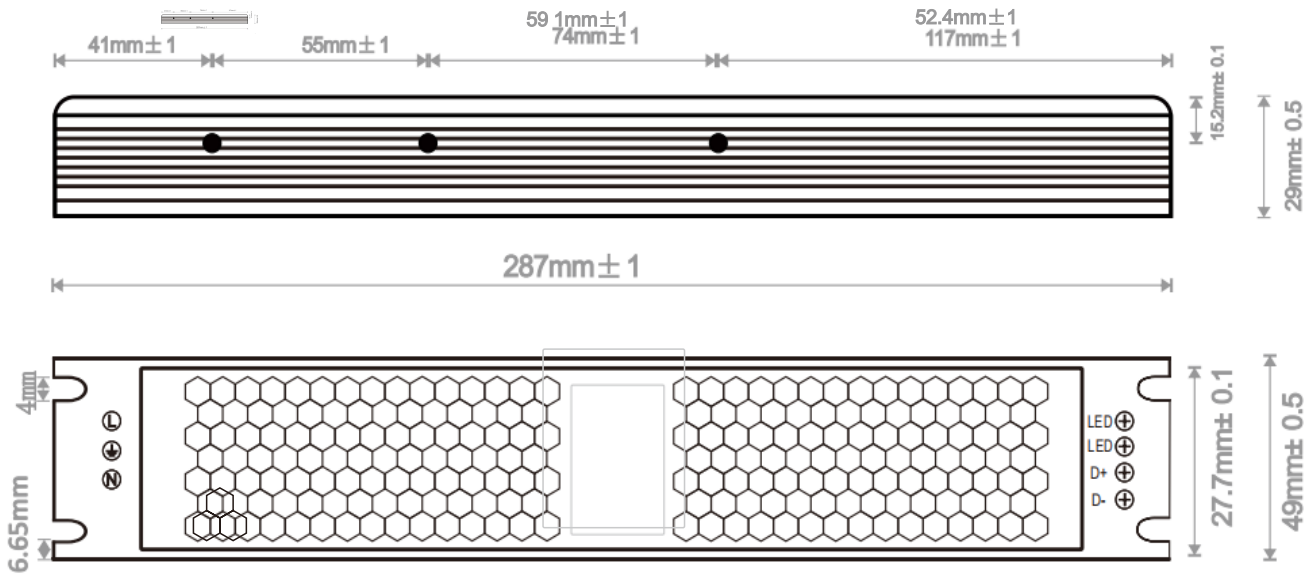
- 170-264VAC
- Protections: Short circuit/Overload/Over voltage.
- Encapsulated with IP20 level.
- Cooling by free air convection.
- 100% full load burn-in test.
- 3-year warranty.
- Support: Phase&0/1-10V

Specification

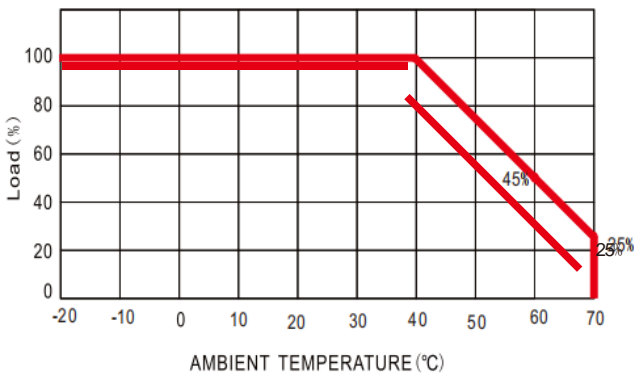
CE RoHS BIS SELV IP20

	Model	DR-LD-200W-12D-IP20	DR-LD-200W-24D-IP20
Output	DC Voltage	12V	24V
	Voltage Tolerance	±0.5V	
	Rated Current	0 - 16.7A	0 - 8.3A
	Rated Power	200W	200W
	Ripple & Noise	250mVp-p	300mVp-p
Input	Voltage Range	170-264VAC	
	Frequency Range	50~60HZ	
	Power Factor	PF ≥0.55/220VAC (Full loading)	
	Full Load Efficiency(Typ.)	86%	88%
	AC Current (Max.)	1.55A	1.55A
	Leakage current	<0.5mA/260VAC	
	Inrush current	≤ 60A	
Protection	Short Circuit	Protection type: Hiccup mode, recovers automatically after fault condition is removed.	
	Overload	Hiccup mode, recovers automatically after fault condition is removed.	
	VIBRATION	10-500Hz 2G10min	
	BURNT- IN TEST	Input voltage : 220V 50Hz rated output current 25°C Bum-in 2h	
Environment	Over temperature	100°C±10°C shut down o/p voltage, re-power on to recover	
	Working TEMP.	-20 ~ +50°C	
	Working Humidity	20~60%RH, non-condensing	
	Storage TEM. , Humidity	-20~ +85% , 10~95%RH	
	START RISE HOLD TIME	1500ms, 20ms, 50ms/230VAC at full load	
Safety & EMC	Vibration	10 -500Hz, 5G 12min./1 cycle, period for 60min.each along X,Y,Z axes.	
	Safety standards	CE Mark	
	Withstand voltage	I/P-O/P:1.5KVAC I/P-GND:1.5KVAC	
	EMC Immunity	EN IEC 55015:2019, EN IEC61547:2009, EN 61000-3-2:2019, EN 61000-3-3:2013+A1:2019	
Others	Weight	0.43 KG/PC	
	Dimension	287x49x29mm (LxWxH)	
	Packing	50 PCS/CTN	
Notes	<p>1. All parameters NOT specially mentioned are measured at 230VAC input, rated load and 25C of ambient temperature.</p> <p>2. Tolerance: includes set up tolerance, line regulation and load Regulation.</p> <p>3. The power supply is considered as a component that will be operated in combination with final Equipment. Since EMC performance will be affected by the complete installation, the final equipment manufacturers must be-qualify EMC Directive on the complete installation again.</p>		

Mechanical Specification



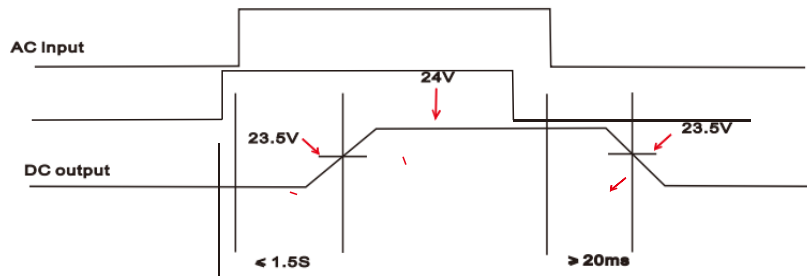
Derating Curve



Package

DIMENSION	287x49x29 (mm) (L■W■H)
CARTON QUANTITY	50 Pcs/Carton
CARTON SIZE	38*30*30 CM
WEIGHT	430 G/PC

Switching Time Curve:



Dimming Wiring Diagram:

