

Driver LC 60W 24V SC SNC

essence series 24 V – not dimmable (IP20)

**Product description**

- _ Constant voltage LED driver
- _ Output voltage 24 V
- _ Max. output power 60 W
- _ Dimmable via external PWM LED dimmers attached on output side
- _ The strain relief is included in both packaging variants. In the single packaging (SP) each Driver has also an individual packaging
- _ Nominal lifetime up to 50,000 h
- _ 5 years guarantee (conditions at www.tridonic.com)

Typical applications

- _ Cove lighting, facade accent lighting, ceiling integration, refrigerated displays

Technical details

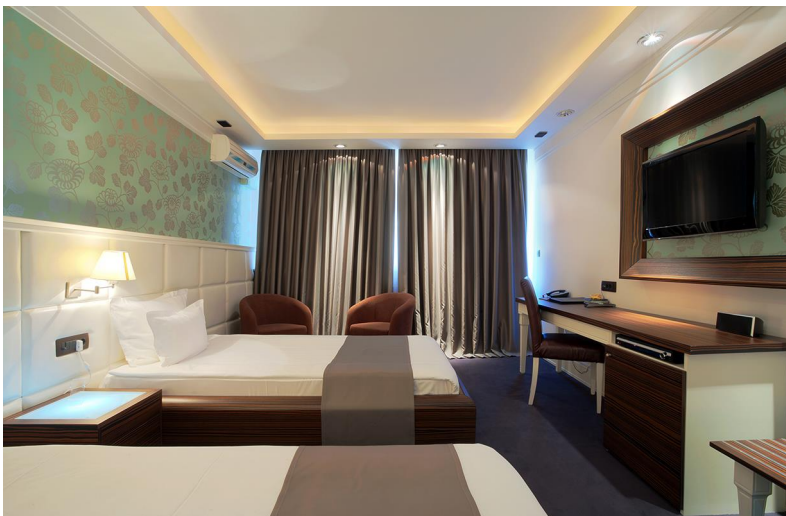
- _ 24 V, 60 W
- _ Small design (225 x 43 x 30.2 mm) with stretched-compact strain relief
- _ Very good THD performance in wide load range < 5 %
- _ Output LF voltage ripple (< 120 Hz) \pm 1.5 %
- _ Small cross section
- _ Push terminals for simple wiring

System solution

- _ Tridonic LLE-FLEX ADV G2 600, 1,200, 1,800 lm/m
- _ Tridonic LLE-FLEX EXC 600, 1,200, 1,800, 2,500 lm/m
- _ In connection with Flex accessories wire to PCB plug

Website

<http://www.tridonic.ae/87500665>



Spotlights



Downlights



Linear



Area



Floor | Wall



Free-standing



Street



Decorative

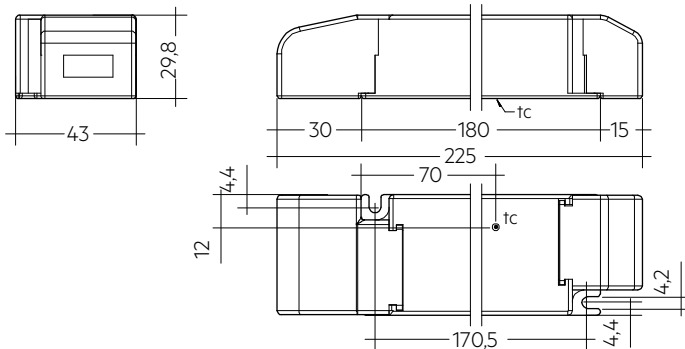


High bay

Driver LC 60W 24V SC SNC

essence series 24 V – not dimmable (IP20)

The complete data sheet for this product is available in the Downloads section.

**Ordering data**

Type	Article number	Packaging, carton	Packaging, pallet	Packaging, high volume	Weight per pc.
Multi packaging					
LC 60W 24V SC SNC	87500665	10 pc(s).	120 pc(s).	1,200 pc(s).	0.18 kg
LC 60W 24V SC SNC	87500665	10 pc(s).	120 pc(s).	1,200 pc(s).	0.18 kg

Technical data

Rated supply voltage	220 – 240 V
AC voltage range	198 – 264 V
Mains frequency	50 / 60 Hz
Overvoltage protection	320 V AC, 48 h
Typ. rated current (at 230 V, 50 Hz, full load) ^①	291 mA
Max. input power	67 W
Typ. efficiency (at 230 V, 50 Hz, full load)	92 %
λ (at 230 V, 50 Hz, full load) ^①	0.98
Typ. input current in no-load operation	47 mA
Typ. input power in no-load operation	1.5 W
In-rush current (peak / duration)	27.7 A / 198 μ s
THD (at 230 V, 50 Hz, full load) ^①	< 4 %
Output P _{ST_LM} (at full load)	≤ 1
Output SVM (at full load)	≤ 0.4
Starting time (at 230 V, 50 Hz, full load) ^①	< 0.5 s
Turn off time (at 230 V, 50 Hz, full load)	< 0.5 s
Hold on time at power failure (output)	0 s
Output voltage tolerance	± 1 V
Output LF voltage ripple (< 120 Hz)	± 1.5 %
Max. output voltage (U-OUT)	25 V
Burst capability	1 kV
Mains surge capability (between L - N)	1 kV
Mains surge capability (between L/N - PE)	2 kV
Type of protection	IP20
Lifetime	up to 50,000 h
Guarantee	5 Year(s)
Dimensions L x W x H	225 x 43 x 29.8 mm

Approval marks

Standards

EN 55015, EN 61000-3-2, EN 61000-3-3, EN 61347-1, EN 61347-2-13, EN 62384, EN 61547, IEC 60335-1, IEC 60335-2-89

Specific technical data

Type	Load	Output voltage	Output current	Max. Ausgangsleistung	Typ. power consumption	Typ. current consumption	tc point max.	Ambient temperature ta
LC 60W 24V SC SNC	30 %	24 V	750 mA	18 W	20.6 W	109 mA	75 °C	-20 ... +50 °C
LC 60W 24V SC SNC	30 %	24 V	750 mA	18 W	20.6 W	109 mA	75 °C	-20 ... +50 °C
LC 60W 24V SC SNC	55 %	24 V	1,375 mA	33 W	36.6 W	171 mA	80 °C	-20 ... +50 °C
LC 60W 24V SC SNC	55 %	24 V	1,375 mA	33 W	36.6 W	171 mA	80 °C	-20 ... +50 °C
LC 60W 24V SC SNC	80 %	24 V	2,000 mA	48 W	52.5 W	237 mA	85 °C	-20 ... +50 °C
LC 60W 24V SC SNC	80 %	24 V	2,000 mA	48 W	52.5 W	237 mA	85 °C	-20 ... +50 °C
LC 60W 24V SC SNC	100 %	24 V	2,500 mA	60 W	66.0 W	292 mA	85 °C	-20 ... +50 °C
LC 60W 24V SC SNC	100 %	24 V	2,500 mA	60 W	66.0 W	292 mA	85 °C	-20 ... +50 °C

① Valid at 100 % dimming level.