

**Driver LC 100W 24V SC SNC**

essence series 24 V – not dimmable (IP20)

**Product description**

- \_ Constant voltage LED driver
- \_ Output voltage 24 V
- \_ Max. output power 100 W
- \_ Dimmable via external PWM LED dimmers attached on output side
- \_ The strain relief is included in both packaging variants. In the single packaging (SP) each Driver has also an individual packaging
- \_ Nominal lifetime up to 50,000 h
- \_ 5 years guarantee (conditions at [www.tridonic.com](http://www.tridonic.com))

**Typical applications**

- \_ Cove lighting, facade accent lighting, ceiling integration, refrigerated displays

**Technical details**

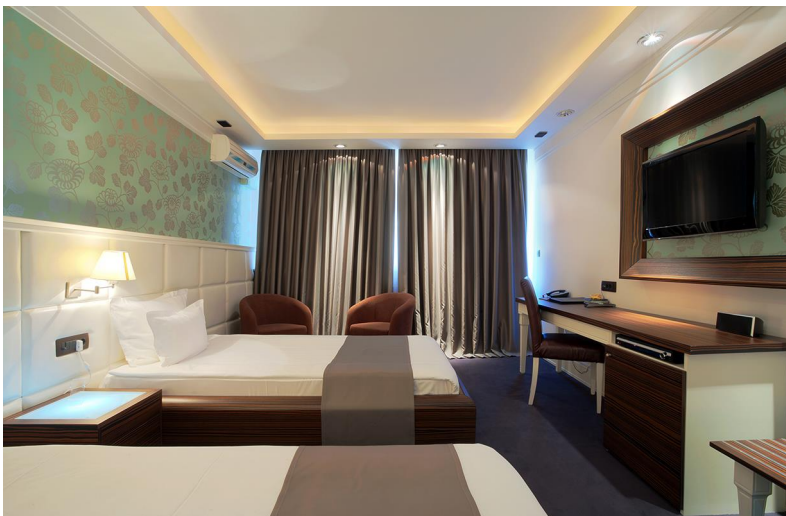
- \_ 24 V, 100 W
- \_ Small design (295 x 43 x 30 mm) with stretched-compact strain relief
- \_ Very good THD performance in wide load range < 5 %
- \_ Output LF voltage ripple (< 120 Hz)  $\pm$  1.5 %
- \_ Small cross section
- \_ Push terminals for simple wiring

**System solution**

- \_ Tridonic LLE-FLEX ADV G2 600, 1,200, 1,800 lm/m
- \_ Tridonic LLE-FLEX EXC 600, 1,200, 1,800, 2,500 lm/m
- \_ In connection with Flex accessories wire to PCB plug

**Website**

<http://www.tridonic.ae/87500666>



Spotlights



Downlights



Linear



Area



Floor | Wall



Free-standing



Street



Decorative

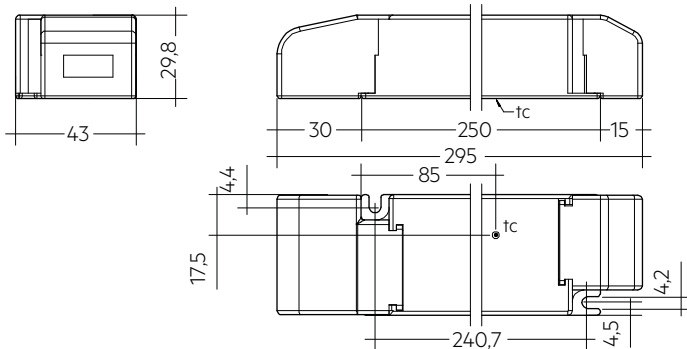


High bay

**Driver LC 100W 24V SC SNC**

essence series 24 V – not dimmable (IP20)

The complete data sheet for this product is available in the Downloads section.

**Ordering data**

Type	Article number	Packaging, carton	Packaging, pallet	Packaging, high volume	Weight per pc.
<b>Multi packaging</b>					
LC 100W 24V SC SNC	87500666	10 pc(s).	80 pc(s).	800 pc(s).	0.227 kg
LC 100W 24V SC SNC	87500666	10 pc(s).	80 pc(s).	800 pc(s).	0.227 kg

**Technical data**

Rated supply voltage	220 – 240 V
AC voltage range	198 – 264 V
Mains frequency	50 / 60 Hz
Overvoltage protection	320 V AC, 48 h
Typ. rated current (at 230 V, 50 Hz, full load) <sup>①</sup>	486 mA
Max. input power	113 W
Typ. efficiency (at 230 V, 50 Hz, full load)	92 %
$\lambda$ (at 230 V, 50 Hz, full load) <sup>①</sup>	0.98
Typ. input current in no-load operation	63 mA
Typ. input power in no-load operation	1.8 W
In-rush current (peak / duration)	40 A / 186 $\mu$ s
THD (at 230 V, 50 Hz, full load) <sup>①</sup>	< 4 %
Output P <sub>ST_LM</sub> (at full load)	$\leq 1$
Output SVM (at full load)	$\leq 0.4$
Starting time (at 230 V, 50 Hz, full load) <sup>①</sup>	< 0.5 s
Turn off time (at 230 V, 50 Hz, full load)	< 0.5 s
Hold on time at power failure (output)	0 s
Output voltage tolerance	$\pm 1$ V
Output LF voltage ripple (< 120 Hz)	$\pm 1.5$ %
Max. output voltage (U-OUT)	25 V
Burst capability	1 kV
Mains surge capability (between L - N)	1 kV
Mains surge capability (between L/N - PE)	2 kV
Type of protection	IP20
Lifetime	up to 50,000 h
Guarantee	5 Year(s)
Dimensions L x W x H	295 x 43 x 29.8 mm

**Approval marks**

## Standards

EN 55015, EN 61000-3-2, EN 61000-3-3, EN 61347-1, EN 61347-2-13, EN 62384, EN 61547, IEC 60335-1, IEC 60335-2-89

## Specific technical data

Type	Load	Output voltage	Output current	Max. Ausgangsleistung	Typ. power consumption	Typ. current consumption	tc point max.	Ambient temperature ta
LC 100W 24V SC SNC	30 %	24 V	1,250 mA	30 W	33.6 W	166 mA	75 °C	-20 ... +50 °C
LC 100W 24V SC SNC	30 %	24 V	1,250 mA	30 W	33.6 W	166 mA	75 °C	-20 ... +50 °C
LC 100W 24V SC SNC	40 %	24 V	1,667 mA	40 W	44.0 W	207 mA	80 °C	-20 ... +50 °C
LC 100W 24V SC SNC	40 %	24 V	1,667 mA	40 W	44.0 W	207 mA	80 °C	-20 ... +50 °C
LC 100W 24V SC SNC	50 %	24 V	2,083 mA	50 W	54.5 W	250 mA	80 °C	-20 ... +50 °C
LC 100W 24V SC SNC	50 %	24 V	2,083 mA	50 W	54.5 W	250 mA	80 °C	-20 ... +50 °C
LC 100W 24V SC SNC	60 %	24 V	2,500 mA	60 W	65.2 W	295 mA	85 °C	-20 ... +50 °C
LC 100W 24V SC SNC	60 %	24 V	2,500 mA	60 W	65.2 W	295 mA	85 °C	-20 ... +50 °C
LC 100W 24V SC SNC	70 %	24 V	2,917 mA	70 W	75.9 W	340 mA	85 °C	-20 ... +50 °C
LC 100W 24V SC SNC	70 %	24 V	2,917 mA	70 W	75.9 W	340 mA	85 °C	-20 ... +50 °C
LC 100W 24V SC SNC	80 %	24 V	3,333 mA	80 W	86.7 W	385 mA	90 °C	-20 ... +50 °C
LC 100W 24V SC SNC	80 %	24 V	3,333 mA	80 W	86.7 W	385 mA	90 °C	-20 ... +50 °C
LC 100W 24V SC SNC	90 %	24 V	3,750 mA	90 W	97.6 W	432 mA	90 °C	-20 ... +50 °C
LC 100W 24V SC SNC	90 %	24 V	3,750 mA	90 W	97.6 W	432 mA	90 °C	-20 ... +50 °C
LC 100W 24V SC SNC	100 %	24 V	4,167 mA	100 W	108.5 W	478 mA	90 °C	-20 ... +45 °C
LC 100W 24V SC SNC	100 %	24 V	4,167 mA	100 W	108.5 W	478 mA	90 °C	-20 ... +45 °C

① Valid at 100 % dimming level.