

Driver LC 35W 24V SC SNC

essence series 24 V – not dimmable (IP20)

**Product description**

- _ Constant voltage LED driver
- _ Output voltage 24 V
- _ Max. output power 35 W
- _ Dimmable via external PWM LED dimmers attached on output side
- _ The strain relief is included in both packaging variants. In the single packaging (SP) each Driver has also an individual packaging
- _ Nominal lifetime up to 50,000 h
- _ 5 years guarantee (conditions at www.tridonic.com)

Typical applications

- _ Cove lighting, facade accent lighting, ceiling integration, refrigerated displays

Technical details

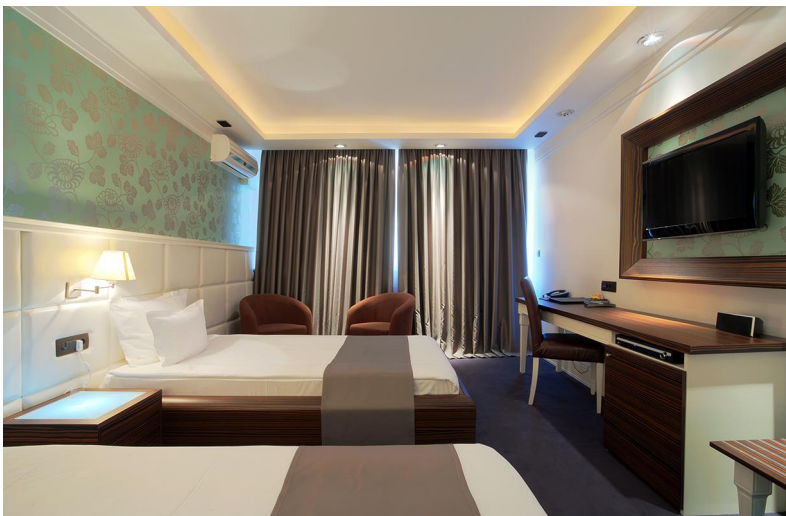
- _ 24 V, 35 W
- _ Small design (142 x 43 x 30 mm) with stretched-compact strain relief
- _ Output LF voltage ripple (< 120 Hz) \pm 1.5 %
- _ Small cross section
- _ Push terminals for simple wiring

System solution

- _ Tridonic LLE-FLEX ADV G2 600, 1,200, 1,800 lm/m
- _ Tridonic LLE-FLEX EXC 600, 1,200, 1,800, 2,500 lm/m
- _ In connection with Flex accessories wire to PCB plug

Website

<http://www.tridonic.ae/87500852>



Spotlights



Downlights



Linear



Area



Floor | Wall



Free-standing



Street



Decorative

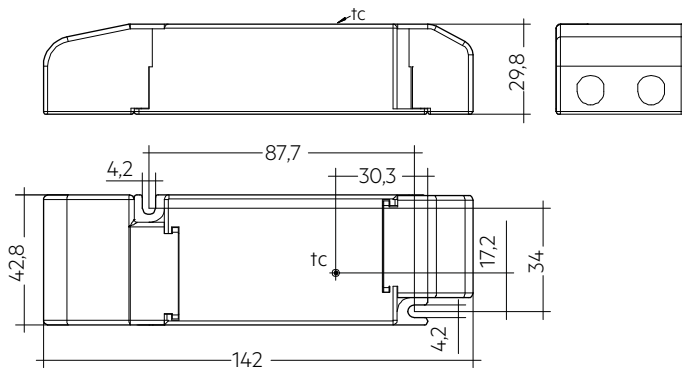


High bay

Driver LC 35W 24V SC SNC

essence series 24 V – not dimmable (IP20)

The complete data sheet for this product is available in the Downloads section.

**Ordering data**

Type	Article number	Packaging, carton	Packaging, pallet	Packaging, high volume	Weight per pc.
Multi packaging					
LC 35W 24V SC SNC	87500852	20 pc(s).	140 pc(s).	1,820 pc(s).	0.135 kg
LC 35W 24V SC SNC	87500852	20 pc(s).	140 pc(s).	1,820 pc(s).	0.135 kg

Technical data

Rated supply voltage	220 – 240 V
AC voltage range	198 – 264 V
Mains frequency	50 / 60 Hz
Overvoltage protection	320 V AC, 1 h
Typ. rated current (at 230 V, 50 Hz, full load) ^①	176 mA
Max. input power	40 W
Typ. efficiency (at 230 V, 50 Hz, full load)	86.5 %
λ (at 230 V, 50 Hz, full load) ^①	0.95
Typ. input current in no-load operation	25 mA
Typ. input power in no-load operation	1 W
In-rush current (peak / duration)	30 A / 180 μ s
THD (at 230 V, 50 Hz, full load) ^①	< 10 %
Starting time (at 230 V, 50 Hz, full load) ^①	< 0.5 s
Turn off time (at 230 V, 50 Hz, full load)	< 0.5 s
Hold on time at power failure (output)	0 s
Output voltage tolerance	\pm 1 V
Output LF voltage ripple (< 120 Hz)	\pm 1.5 %
Max. output voltage (U-OUT)	25 V
Burst capability	1 kV
Mains surge capability (between L - N)	1 kV
Mains surge capability (between L/N - PE)	2 kV
Type of protection	IP20
Lifetime	up to 50,000 h
Guarantee	5 Year(s)
Dimensions L x W x H	142 x 43 x 29.8 mm

Approval marks**Standards**

EN 55015, EN 61000-3-2, EN 61000-3-3, EN 61347-1, EN 61347-2-13, EN 62384, EN 61547, IEC 60335-1, IEC 60335-2-89

Specific technical data

Type	Load	Output voltage	Output current	Max. Ausgangsleistung	Typ. power consumption	Typ. current consumption	tc point max.	Ambient temperature ta
LC 35W 24V SC SNC	30 %	24 V	438 mA	10.5 W	13.1 W	65 mA	65 °C	-20 ... +50 °C
LC 35W 24V SC SNC	30 %	24 V	438 mA	10.5 W	13.1 W	65 mA	65 °C	-20 ... +50 °C
LC 35W 24V SC SNC	60 %	24 V	875 mA	21.0 W	24.5 W	112 mA	70 °C	-20 ... +50 °C
LC 35W 24V SC SNC	60 %	24 V	875 mA	21.0 W	24.5 W	112 mA	70 °C	-20 ... +50 °C
LC 35W 24V SC SNC	80 %	24 V	1,167 mA	28.0 W	32.2 W	144 mA	80 °C	-20 ... +50 °C
LC 35W 24V SC SNC	80 %	24 V	1,167 mA	28.0 W	32.2 W	144 mA	80 °C	-20 ... +50 °C
LC 35W 24V SC SNC	100 %	24 V	1,458 mA	35.0 W	40.0 W	176 mA	80 °C	-20 ... +45 °C
LC 35W 24V SC SNC	100 %	24 V	1,458 mA	35.0 W	40.0 W	176 mA	80 °C	-20 ... +45 °C

① Valid at 100 % dimming level.