

Driver LC 200W 24V SC SNC

essence series 24 V – not dimmable (IP20)

**Product description**

- _ Constant voltage LED driver
- _ Can be either used built-in or independent with clip-on strain-relief (see data sheet chapter: 1. Standards)
- _ Output voltage 24 V
- _ Max. output power 200 W
- _ Dimmable via external PWM LED dimmers attached on output side
- _ The strain relief is included in both packaging variants. In the single packaging (SP) each Driver has also an individual packaging
- _ Nominal lifetime up to 50,000 h
- _ 5 years guarantee (conditions at www.tridonic.com)

Typical applications

- _ Cove lighting, facade accent lighting, ceiling integration, refrigerated displays

Technical details

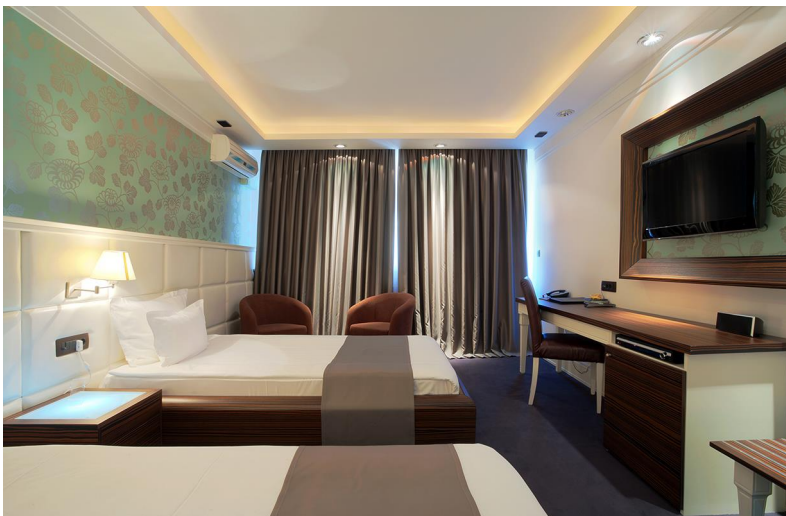
- _ 24 V, 200 W
- _ Small design (325 x 43 x 30 mm) with stretched-compact strain relief
- _ Output LF voltage ripple (< 120 Hz) \pm 1.5 %
- _ Push terminals for simple wiring

System solution

- _ Tridonic LLE-FLEX ADV G2 600, 1,200, 1,800 lm/m
- _ Tridonic LLE-FLEX EXC 600, 1,200, 1,800, 2,500 lm/m
- _ In connection with Flex accessories wire to PCB plug

Website

<http://www.tridonic.ae/87500855>



Spotlights



Downlights



Linear



Area



Floor | Wall



Free-standing



Street



Decorative

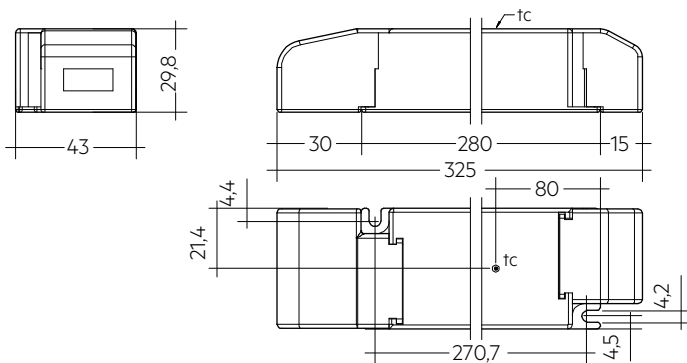


High bay

Driver LC 200W 24V SC SNC

essence series 24 V – not dimmable (IP20)

The complete data sheet for this product is available in the Downloads section.

**Ordering data**

Type	Article number	Packaging, carton	Packaging, pallet	Packaging, high volume	Weight per pc.
Multi packaging					
LC 200W 24V SC SNC	87500855	10 pc(s).	80 pc(s).	1,040 pc(s).	0.356 kg
LC 200W 24V SC SNC	87500855	10 pc(s).	80 pc(s).	1,040 pc(s).	0.356 kg

Technical data

Rated supply voltage	220 – 240 V
AC voltage range	198 – 264 V
Mains frequency	50 / 60 Hz
Overtoltage protection	320 V AC, 1 h
Typ. rated current (at 230 V, 50 Hz, full load) ^①	940 mA
Max. input power	215 W
Typ. efficiency (at 230 V, 50 Hz, full load)	93 %
λ (at 230 V, 50 Hz, full load) ^①	0.98
Typ. input current in no-load operation	87 mA
Typ. input power in no-load operation	2 W
In-rush current (peak / duration)	125 A / 121 μ s
THD (at 230 V, 50 Hz, full load) ^①	< 5 %
Output P _{ST_LM} (at full load)	≤ 1
Output SVM (at full load)	≤ 0.4
Starting time (at 230 V, 50 Hz, full load) ^①	< 0.5 s
Turn off time (at 230 V, 50 Hz, full load)	< 0.5 s
Hold on time at power failure (output)	0 s
Output voltage tolerance	± 1 V
Output LF voltage ripple (< 120 Hz)	± 1.5 %
Max. output voltage (U-OUT)	25 V
Burst capability	1 kV
Mains surge capability (between L - N)	1 kV
Mains surge capability (between L/N - PE)	2 kV
Type of protection	IP20
Lifetime	up to 50,000 h
Guarantee	5 Year(s)
Dimensions L x W x H	325 x 43 x 29.8 mm

Approval marks

Standards

EN 55015, EN 61000-3-2, EN 61000-3-3, EN 61347-1, EN 61347-2-13, EN 62384, EN 61547, IEC 60335-1, IEC 60335-2-89

Specific technical data

Type	Load	Output voltage	Output current	Max. Ausgangsleistung	Typ. power consumption	Typ. current consumption	tc point max.	Ambient temperature ta
LC 200W 24V SC SNC	30 %	24 V	2,500 mA	60 W	65.0 W	302 mA	70 °C	-20 ... +50 °C
LC 200W 24V SC SNC	30 %	24 V	2,500 mA	60 W	65.0 W	302 mA	70 °C	-20 ... +50 °C
LC 200W 24V SC SNC	40 %	24 V	3,333 mA	80 W	85.6 W	387 mA	70 °C	-20 ... +50 °C
LC 200W 24V SC SNC	40 %	24 V	3,333 mA	80 W	85.6 W	387 mA	70 °C	-20 ... +50 °C
LC 200W 24V SC SNC	50 %	24 V	4,167 mA	100 W	107.0 W	477 mA	70 °C	-20 ... +50 °C
LC 200W 24V SC SNC	50 %	24 V	4,167 mA	100 W	107.0 W	477 mA	70 °C	-20 ... +50 °C
LC 200W 24V SC SNC	60 %	24 V	5,000 mA	120 W	128.2 W	568 mA	75 °C	-20 ... +50 °C
LC 200W 24V SC SNC	60 %	24 V	5,000 mA	120 W	128.2 W	568 mA	75 °C	-20 ... +50 °C
LC 200W 24V SC SNC	70 %	24 V	5,833 mA	140 W	150.0 W	660 mA	75 °C	-20 ... +50 °C
LC 200W 24V SC SNC	70 %	24 V	5,833 mA	140 W	150.0 W	660 mA	75 °C	-20 ... +50 °C
LC 200W 24V SC SNC	80 %	24 V	6,667 mA	160 W	171.0 W	750 mA	75 °C	-20 ... +50 °C
LC 200W 24V SC SNC	80 %	24 V	6,667 mA	160 W	171.0 W	750 mA	75 °C	-20 ... +50 °C
LC 200W 24V SC SNC	90 %	24 V	7,500 mA	180 W	193.0 W	845 mA	80 °C	-20 ... +50 °C
LC 200W 24V SC SNC	90 %	24 V	7,500 mA	180 W	193.0 W	845 mA	80 °C	-20 ... +50 °C
LC 200W 24V SC SNC	100 %	24 V	8,333 mA	200 W	215.0 W	940 mA	80 °C	-20 ... +45 °C
LC 200W 24V SC SNC	100 %	24 V	8,333 mA	200 W	215.0 W	940 mA	80 °C	-20 ... +45 °C

① Valid at 100 % dimming level.